

SCHEMA TECNICA GENERALE

Lampada di emergenza a LED Serie FAST SMART

Standard - Autotesting - Dali - Variant - Central System 485 / Radio



Fabbricazione elettronica italiana al 100%
100% Italian electronics manufacturing

Montaggio a parete ed a plafone,
predisposta per essere installata anche su scatola 503

Wall and ceiling mounting, designed for installation
also on a 503 junction box.

Materiale corpo in policarbonato autoestinguente V2
Body material in self-extinguishing (V2) polycarbonate

Materiale diffusore in policarbonato autoestinguente V2
Reflector material in self-extinguishing (V2) polycarbonate

Alimentazione 230Vca-50/60 Hz
Input Power 230Vca-50/60 Hz

Tipo di funzionamento S.E.- S.E./S.A.
Type of functioning Not Permanent - Not Permanent / Permanent

Batteria LiFePO₄ ricaricabile
Rechargeable LiFePO₄ battery

Autonomia 60 a 180 Minuti
Autonomy 60 to 180 Minutes

Flusso luminoso Nominale da 100 Lumen a 500 Lumen
Nominal Luminous flux 100 Lumens to 500 Lumens

Tempo di ricarica 12 ore
Recharge time 12 hours

Ricarica della batteria a corrente costante
Battery recharging at constant rated current

Protezione della batteria a scarica completa
Battery protection at full discharging

Fonte luminosa LED Alta Efficienza
Light source High Efficiency LED

Temperatura colore 5000K
Temperature Colour 5000K

Glow wire test 850°C (2.0mm)
Glow wire test 850°C (2.0mm)

Resa cromatica (CRI) 80
Colour rendering index 80

Grado di protezione IP42, IP65
Protection degree IP42, IP65

Grado di resistenza agli urti IK07
Shock resistance degree IK07

Temperatura operativa 0°C +40°C
Operating temperature 0°C +40°C

LED Verde spia presenza rete
Green LED power ON

Garanzia sulla fonte luminosa LED di 10 anni
10 years' warranty on LED light source

Basso rischio fotobiologico secondo EN62471
Photobiological low-risk according to EN62471

Conforme alle normative vigenti:
Complies with current Standards:

EN 61547; EN 1838; EN 60598-2-22; EN 62471; EN 55015,
Classe B; EN 60598-1; EN 61347-2-7;

Per Autotesting, Central System 485 / Radio EN 62034;
Compatibile DALI EN 62386-101 Edizione 1 / EN 62386102



FAST SMART

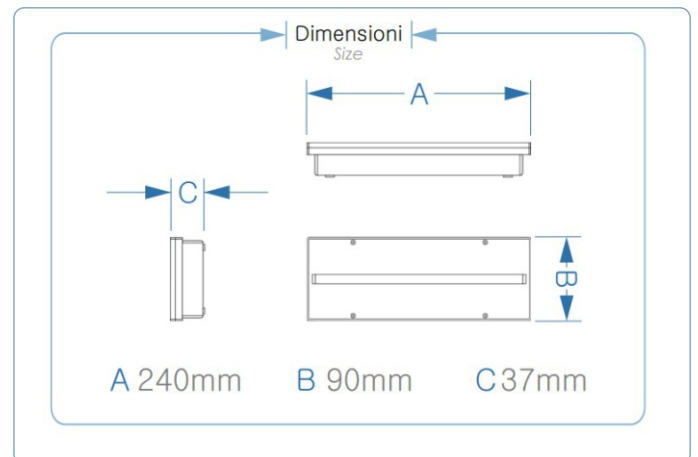
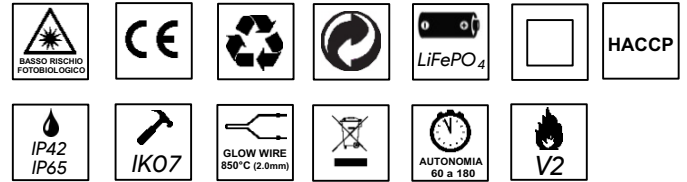
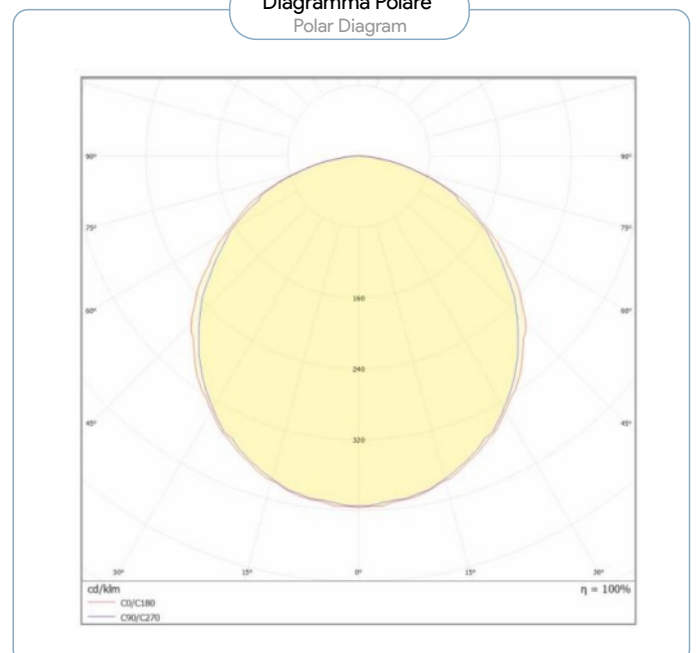


Diagramma Polare
Polar Diagram



SCHEDA TECNICA GENERALE



FAST SMART

STANDARD (REST MODE) & AUTOTESTING

59143_FSMART100LFP10SE42OP, 59144_FSMART100LFP20SE42OP, 59145_FSMART100LFP30SE42OP, 59146_FSMART150LFP10SE42OP, 59147_FSMART150LFP20SE42OP, 59148_FSMART150LFP30SE42OP, 59149_FSMART200LFP10SE42OP, 59150_FSMART200LFP20SE42OP, 59151_FSMART200LFP30SE42OP, 66531_FSMART250LFP10SE42OP, 66537_FSMART250LFP10SE42OP, 66538_FSMART250LFP20SE42OP, 66539_FSMART250LFP30SE42OP, 59170_FSMART300LFP10SE42OP, 59171_FSMART300LFP20SE42OP, 59172_FSMART300LFP30SE42OP, 59155_FSMART400LFP10SE42OP, 69810_FSMART400LFP15SE42OP, 59156_FSMART400LFP20SE42OP, 59158_FSMART500LFP10SE42OP, 59159_FSMART500LFP15SE42OP, 69811_FSMART500LFP20SE42OP.

59161_FSMART100LFP10SE42OP, 59162_FSMART100LFP20SE42OP, 59163_FSMART100LFP30SE42OP, 59164_FSMART150LFP10SE42OP, 59165_FSMART150LFP20SE42OP, 59166_FSMART150LFP30SE42OP, 59167_FSMART200LFP10SE42OP, 59168_FSMART200LFP20SE42OP, 59169_FSMART200LFP30SE42OP, 69812_FSMART300LFP30SE42OP, 59173_FSMART400LFP10SE42OP, 69813_FSMART400LFP15SE42OP, 59174_FSMART400LFP20SE42OP, 59176_FSMART500LFP10SE42OP, 59177_FSMART500LFP15SE42OP, 69814_FSMART500LFP20SE42OP.

59179_FSMART100LFP10SE65OP, 59180_FSMART100LFP20SE65OP, 59181_FSMART100LFP30SE65OP, 59182_FSMART150LFP10SE65OP, 59183_FSMART150LFP20SE65OP, 59184_FSMART150LFP30SE65OP, 59185_FSMART200LFP10SE65OP, 59186_FSMART200LFP20SE65OP, 59187_FSMART200LFP30SE65OP, 66534_FSMART250LFP10SE65OP, 66535_FSMART250LFP20SE65OP, 66536_FSMART250LFP30SE65OP, 59188_FSMART300LFP10SE65OP, 59189_FSMART300LFP20SE65OP, 69815_FSMART300LFP30SE65OP, 59191_FSMART400LFP10SE65OP, 69816_FSMART400LFP15SE65OP, 59192_FSMART400LFP20SE65OP, 59194_FSMART500LFP10SE65OP, 59195_FSMART500LFP15SE65OP, 69817_FSMART500LFP20SE65OP.

59197_FSMART100LFP10SE65OP, 59198_FSMART100LFP20SE65OP, 59199_FSMART100LFP30SE65OP, 59200_FSMART150LFP10SE65OP, 59201_FSMART150LFP20SE65OP, 59202_FSMART150LFP30SE65OP, 59203_FSMART200LFP10SE65OP, 59204_FSMART200LFP20SE65OP, 59205_FSMART200LFP30SE65OP, 66540_FSMART250LFP10SE65OP, 66541_FSMART250LFP20SE65OP, 66542_FSMART250LFP30SE65OP, 59206_FSMART300LFP10SE65OP, 59207_FSMART300LFP20SE65OP, 69818_FSMART300LFP30SE65OP, 59209_FSMART400LFP10SE65OP, 69819_FSMART400LFP15SE65OP, 59210_FSMART400LFP20SE65OP, 59212_FSMART500LFP10SE65OP, 59213_FSMART500LFP15SE65OP, 69820_FSMART500LFP20SE65OP.

61144_FSMART-AT-100LFP15SE42OP, 61145_FSMART-AT-100LFP20SE42OP, 61146_FSMART-AT-100LFP30SE42OP, 61147_FSMART-AT-150LFP15SE42OP, 61148_FSMART-AT-150LFP20SE42OP, 61149_FSMART-AT-150LFP30SE42OP, 61150_FSMART-AT-200LFP15SE42OP, 61151_FSMART-AT-200LFP20SE42OP, 61152_FSMART-AT-200LFP30SE42OP, 66543_FSMART-AT-250LFP15SE42OP, 66544_FSMART-AT-250LFP20SE42OP, 66545_FSMART-AT-250LFP30SE42OP, 61153_FSMART-AT-300LFP15SE42OP, 61154_FSMART-AT-300LFP20SE42OP, 69121_FSMART-AT-300LFP30SE42OP, 61155_FSMART-AT-400LFP10SE42OP, 69122_FSMART-AT-400LFP15SE42OP, 61156_FSMART-AT-400LFP20SE42OP, 61157_FSMART-AT-500LFP10SE42OP, 61158_FSMART-AT-500LFP15SE42OP, 69123_FSMART-AT-500LFP20SE42OP.

61159_FSMART-AT-100LFP15SE42OP, 61160_FSMART-AT-100LFP20SE42OP, 61161_FSMART-AT-100LFP30SE42OP, 61162_FSMART-AT-150LFP15SE42OP, 61163_FSMART-AT-150LFP20SE42OP, 61164_FSMART-AT-150LFP30SE42OP, 61165_FSMART-AT-200LFP15SE42OP, 61166_FSMART-AT-200LFP20SE42OP, 61167_FSMART-AT-200LFP30SE42OP, 66549_FSMART-AT-250LFP15SE42OP, 66550_FSMART-AT-250LFP20SE42OP, 66551_FSMART-AT-250LFP30SE42OP, 61168_FSMART-AT-300LFP15SE42OP, 61169_FSMART-AT-300LFP20SE42OP, 69124_FSMART-AT-300LFP30SE42OP, 61170_FSMART-AT-400LFP10SE42OP, 69125_FSMART-AT-400LFP15SE42OP, 61171_FSMART-AT-400LFP20SE42OP, 61172_FSMART-AT-500LFP10SE42OP, 61173_FSMART-AT-500LFP15SE42OP, 6 9 1 2 6 _ F S M A R T - A T - 5 0 0 L F P 2 0 S E S A 4 2 O P .

61174_FSMART-AT-100LFP15SE65OP, 61175_FSMART-AT-100LFP20SE65OP, 61176_FSMART-AT-100LFP30SE65OP, 61177_FSMART-AT-150LFP15SE65OP, 61178_FSMART-AT-150LFP20SE65OP, 61179_FSMART-AT-150LFP30SE65OP, 61180_FSMART-AT-200LFP15SE65OP, 61181_FSMART-AT-200LFP20SE65OP, 61182_FSMART-AT-200LFP30SE65OP, 66546_FSMART-AT-250LFP15SE65OP, 66547_FSMART-AT-250LFP20SE65OP, 66548_FSMART-AT-250LFP30SE65OP, 61183_FSMART-AT-300LFP15SE65OP, 61184_FSMART-AT-300LFP20SE65OP, 69127_FSMART-AT-300LFP30SE65OP, 61185_FSMART-AT-400LFP10SE65OP, 69128_FSMART-AT-400LFP15SE65OP, 61186_FSMART-AT-400LFP20SE65OP, 61187_FSMART-AT-500LFP10SE65OP, 61188_FSMART-AT-500LFP15SE65OP, 6 9 1 2 9 _ F S M A R T - A T - 5 0 0 L F P 2 0 S E 6 5 O P .

61189_FSMART-AT-100LFP15SE65OP, 61190_FSMART-AT-100LFP20SE65OP, 61191_FSMART-AT-100LFP30SE65OP, 61192_FSMART-AT-150LFP15SE65OP, 61193_FSMART-AT-150LFP20SE65OP, 61194_FSMART-AT-150LFP30SE65OP, 61195_FSMART-AT-200LFP15SE65OP, 61196_FSMART-AT-200LFP20SE65OP, 61197_FSMART-AT-200LFP30SE65OP, 66552_FSMART-AT-250LFP15SE65OP, 66553_FSMART-AT-250LFP20SE65OP, 66554_FSMART-AT-250LFP30SE65OP, 61198_FSMART-AT-300LFP15SE65OP, 61199_FSMART-AT-300LFP20SE65OP, 69130_FSMART-AT-300LFP30SE65OP, 61200_FSMART-AT-400LFP10SE65OP, 69131_FSMART-AT-400LFP15SE65OP, 61201_FSMART-AT-400LFP20SE65OP, 61202_FSMART-AT-500LFP10SE65OP, 61203_FSMART-AT-500LFP15SE65OP, 69132_FSMART-AT-500LFP20SE65OP.

CENTRAL SYSTEM - 485

61279_FSMART-CS-100NM15SE42OP, 61280_FSMART-CS-100NM20SE42OP, 61281_FSMART-CS-100NM30SE42OP, 61282_FSMART-CS-150NM15SE42OP, 61283_FSMART-CS-150NM20SE42OP, 61284_FSMART-CS-150NM30SE42OP, 61285_FSMART-CS-200NM15SE42OP, 61286_FSMART-CS-200NM20SE42OP, 61287_FSMART-CS-200NM30SE42OP, 66555_FSMART-CS-250NM15SE42OP, 66556_FSMART-CS-250NM20SE42OP, 66557_FSMART-CS-250NM30SE42OP, 61288_FSMART-CS-300NM15SE42OP, 61289_FSMART-CS-300LFP20SE42OP, 69133_FSMART-CS-300LFP30SE42OP, 61290_FSMART-CS-400LFP10SE42OP, 69134_FSMART-CS-400LFP15SE42OP, 61291_FSMART-CS-400LFP20SE42OP, 61292_FSMART-CS-500LFP10SE42OP, 61293_FSMART-CS-500LFP15SE42OP, 69135_FSMART-CS-500LFP20SE42OP.

61294_FSMART-CS-100LFP15SE42OP, 61295_FSMART-CS-100LFP20SE42OP, 61296_FSMART-CS-100LFP30SE42OP, 61297_FSMART-CS-150LFP15SE42OP, 61298_FSMART-CS-150LFP20SE42OP, 61299_FSMART-CS-150LFP30SE42OP, 61300_FSMART-CS-200LFP15SE42OP, 61301_FSMART-CS-200LFP20SE42OP, 61302_FSMART-CS-200LFP30SE42OP, 66561_FSMART-CS-250LFP15SE42OP, 66562_FSMART-CS-250LFP20SE42OP, 66563_FSMART-CS-250LFP30SE42OP, 61303_FSMART-CS-300LFP15SE42OP, 61304_FSMART-CS-300LFP20SE42OP, 69136_FSMART-CS-300LFP30SE42OP, 61305_FSMART-CS-400LFP10SE42OP, 69137_FSMART-CS-400LFP15SE42OP, 61306_FSMART-CS-400LFP20SE42OP, 61307_FSMART-CS-500LFP10SE42OP, 61308_FSMART-CS-500LFP15SE42OP, 69138_FSMART-CS-500LFP20SE42OP.



SCHEDA TECNICA GENERALE



FAST SMART

CENTRAL SYSTEM - 485

61309_FSMART-CS-100LFP15SE65OP, 61310_FSMART-CS-100LFP20SE65OP, 61311_FSMART-CS-100LFP30SE65OP, 61312_FSMART-CS-150LFP15SE65OP,
61313_FSMART-CS-150LFP20SE65OP, 61314_FSMART-CS-150LFP30SE65OP, 61315_FSMART-CS-200LFP15SE65OP, 61316_FSMART-CS-200LFP20SE65OP,
61317_FSMART-CS-200LFP30SE65OP, 66558_FSMART-CS-250LFP15SE65OP, 66559_FSMART-CS-250LFP20SE65OP, 66560_FSMART-CS-250LFP30SE65OP,
61318_FSMART-CS-300LFP15SE65OP, 61319_FSMART-CS-300LFP20SE65OP, 69139_FSMART-CS-300LFP30SE65OP, 61320_FSMART-CS-400LFP10SE65OP,
69140_FSMART-CS-400LFP15SE65OP, 61321_FSMART-CS-400LFP20SE65OP, 61322_FSMART-CS-500LFP10SE65OP, 61323_FSMART-CS-500LFP15SE65OP,
69141_FSMART-CS-500LFP20SE65OP.

61324_FSMART-CS-100LFP15SESA65OP, 61325_FSMART-CS-100LFP20SESA65OP, 61326_FSMART-CS-100LFP30SESA65OP, 61327_FSMART-CS-150LFP15SESA65OP,
61328_FSMART-CS-150LFP20SESA65OP, 61329_FSMART-CS-150LFP30SESA65OP, 61330_FSMART-CS-200LFP15SESA65OP, 61331_FSMART-CS-200LFP20SESA65OP,
61332_FSMART-CS-200LFP30SESA65OP, 66564_FSMART-CS-250LFP15SESA65OP, 66565_FSMART-CS-250LFP20SESA65OP, 66566_FSMART-CS-250LFP30SESA65OP,
61333_FSMART-CS-300LFP15SESA65OP, 61334_FSMART-CS-300LFP20SESA65OP, 69142_FSMART-CS-300LFP30SESA65OP, 61335_FSMART-CS-400LFP10SESA65OP,
69143_FSMART-CS-400LFP15SESA65OP, 61336_FSMART-CS-400LFP20SESA65OP, 61337_FSMART-CS-500LFP10SESA65OP, 61338_FSMART-CS-500LFP15SESA65OP,
69144_FSMART-CS-500LFP20SESA65OP.

CENTRAL SYSTEM RADIO

67246_FSMART-CRX-100LFP15SE42OP, 67247_FSMART-CRX-100LFP20SE42OP, 67248_FSMART-CRX-100LFP30SE42OP, 67249_FSMART-CRX-150LFP15SE42OP,
67250_FSMART-CRX-150LFP20SE42OP, 67251_FSMART-CRX-150LFP30SE42OP, 67252_FSMART-CRX-200LFP15SE42OP, 67253_FSMART-CRX-200LFP20SE42OP,
67254_FSMART-CRX-200LFP30SE42OP, 67255_FSMART-CRX-250LFP15SE42OP, 67256_FSMART-CRX-250LFP20SE42OP, 67257_FSMART-CRX-250LFP30SE42OP,
67258_FSMART-CRX-300LFP15SE42OP, 67259_FSMART-CRX-300LFP20SE42OP, 69145_FSMART-CRX-300LFP30SE42OP, 67260_FSMART-CRX-400LFP10SE42OP,
69146_FSMART-CRX-400LFP15SE42OP, 67261_FSMART-CRX-400LFP20SE42OP, 67262_FSMART-CRX-500LFP10SE42OP, 67263_FSMART-CRX-500LFP15SE42OP,
69147_FSMART-CRX-500LFP20SE42OP.

67282_FSMART-CRX-100LFP15SESA42OP, 67283_FSMART-CRX-100LFP20SESA42OP, 67284_FSMART-CRX-100LFP30SESA42OP, 67285_FSMART-CRX-150LFP15SESA42OP,
67286_FSMART-CRX-150LFP20SESA42OP, 67287_FSMART-CRX-150LFP30SESA42OP, 67288_FSMART-CRX-200LFP15SESA42OP, 67289_FSMART-CRX-200LFP20SESA42OP,
67290_FSMART-CRX-200LFP30SESA42OP, 67291_FSMART-CRX-250LFP15SESA42OP, 67292_FSMART-CRX-250LFP20SESA42OP, 67293_FSMART-CRX-250LFP30SESA42OP,
67294_FSMART-CRX-300LFP15SESA42OP, 67295_FSMART-CRX-300LFP20SESA42OP, 69148_FSMART-CRX-300LFP30SESA42OP, 67296_FSMART-CRX-400LFP10SESA42OP,
69149_FSMART-CRX-400LFP15SESA42OP, 67297_FSMART-CRX-400LFP20SESA42OP, 67298_FSMART-CRX-500LFP10SESA42OP, 67299_FSMART-CRX-500LFP15SESA42OP,
69150_FSMART-CRX-500LFP20SESA42OP.

67264_FSMART-CRX-100LFP15SE65OP, 67265_FSMART-CRX-100LFP20SE65OP, 67266_FSMART-CRX-100LFP30SE65OP, 67267_FSMART-CRX-150LFP15SE65OP,
67268_FSMART-CRX-150LFP20SE65OP, 67269_FSMART-CRX-150LFP30SE65OP, 67270_FSMART-CRX-200LFP15SE65OP, 67271_FSMART-CRX-200LFP20SE65OP,
67272_FSMART-CRX-200LFP30SE65OP, 67273_FSMART-CRX-250LFP15SE65OP, 67274_FSMART-CRX-250LFP20SE65OP, 67275_FSMART-CRX-250LFP30SE65OP,
67276_FSMART-CRX-300LFP15SE65OP, 67277_FSMART-CRX-300LFP20SE65OP, 69151_FSMART-CRX-300LFP30SE65OP, 67278_FSMART-CRX-400LFP10SE65OP,
69152_FSMART-CRX-400LFP15SE65OP, 67279_FSMART-CRX-400LFP20SE65OP, 67280_FSMART-CRX-500LFP10SE65OP, 67281_FSMART-CRX-500LFP15SE65OP,
69153_FSMART-CRX-500LFP20SE65OP.

67300_FSMART-CRX-100LFP15SESA65OP, 67301_FSMART-CRX-100LFP20SESA65OP, 67302_FSMART-CRX-100LFP30SESA65OP, 67303_FSMART-CRX-150LFP15SESA65OP,
67304_FSMART-CRX-150LFP20SESA65OP, 67305_FSMART-CRX-150LFP30SESA65OP, 67306_FSMART-CRX-200LFP15SESA65OP, 67307_FSMART-CRX-200LFP20SESA65OP,
67308_FSMART-CRX-200LFP30SESA65OP, 67309_FSMART-CRX-250LFP15SESA65OP, 67310_FSMART-CRX-250LFP20SESA65OP, 67311_FSMART-CRX-250LFP30SESA65OP,
67312_FSMART-CRX-300LFP15SESA65OP, 67313_FSMART-CRX-300LFP20SESA65OP, 69154_FSMART-CRX-300LFP30SESA65OP, 67314_FSMART-CRX-400LFP10SESA65OP,
69155_FSMART-CRX-400LFP15SESA65OP, 67315_FSMART-CRX-400LFP20SESA65OP, 67316_FSMART-CRX-500LFP10SESA65OP, 67317_FSMART-CRX-500LFP15SESA65OP,
69156_FSMART-CRX-500LFP20SESA65OP.

Compatibile DALI

63149_FSMART-DL-100LFP15SE42OP, 63150_FSMART-DL-100LFP20SE42OP, 63151_FSMART-DL-100LFP30SE42OP, 63152_FSMART-DL-150LFP15SE42OP,
63153_FSMART-DL-150LFP20SE42OP, 63154_FSMART-DL-150LFP30SE42OP, 63155_FSMART-DL-200LFP15SE42OP, 63156_FSMART-DL-200LFP20SE42OP,
63157_FSMART-DL-200LFP30SE42OP, 66577_FSMART-DL-250LFP15SE42OP, 66578_FSMART-DL-250LFP20SE42OP, 66579_FSMART-DL-250LFP30SE42OP,
63158_FSMART-DL-300LFP15SE42OP, 63159_FSMART-DL-300LFP20SE42OP, 69157_FSMART-DL-300LFP30SE42OP, 63160_FSMART-DL-400LFP10SE42OP,
69158_FSMART-DL-400LFP15SE42OP, 63161_FSMART-DL-400LFP20SE42OP, 63162_FSMART-DL-500LFP10SE42OP, 63163_FSMART-DL-500LFP15SE42OP,
69159_FSMART-DL-500LFP20SE42OP.

63179_FSMART-DL-100LFP15SESA42OP, 63180_FSMART-DL-100LFP20SESA42OP, 63181_FSMART-DL-100LFP30SESA42OP, 63182_FSMART-DL-150LFP15SESA42OP,
63183_FSMART-DL-150LFP20SESA42OP, 63184_FSMART-DL-150LFP30SESA42OP, 63185_FSMART-DL-200LFP15SESA42OP, 63186_FSMART-DL-200LFP20SESA42OP,
63187_FSMART-DL-200LFP30SESA42OP, 66583_FSMART-DL-250LFP15SESA42OP, 66584_FSMART-DL-250LFP20SESA42OP, 66585_FSMART-DL-250LFP30SESA42OP,
63188_FSMART-DL-300LFP15SESA42OP, 63189_FSMART-DL-300LFP20SESA42OP, 69160_FSMART-DL-300LFP30SESA42OP, 63190_FSMART-DL-400LFP10SESA42OP,
69161_FSMART-DL-400LFP15SESA42OP, 63191_FSMART-DL-400LFP20SESA42OP, 63192_FSMART-DL-500LFP10SESA42OP, 63193_FSMART-DL-500LFP15SESA42OP,
69162_FSMART-DL-500LFP20SESA42OP.

63164_FSMART-DL-100LFP15SE65OP, 63165_FSMART-DL-100LFP20SE65OP, 63166_FSMART-DL-100LFP30SE65OP, 63167_FSMART-DL-150LFP15SE65OP,
63168_FSMART-DL-150LFP20SE65OP, 63169_FSMART-DL-150LFP30SE65OP, 63170_FSMART-DL-200LFP15SE65OP, 63171_FSMART-DL-200LFP20SE65OP,
63172_FSMART-DL-200LFP30SE65OP, 66580_FSMART-DL-250LFP15SE65OP, 66581_FSMART-DL-250LFP20SE65OP, 66582_FSMART-DL-250LFP30SE65OP,
63173_FSMART-DL-300LFP15SE65OP, 63174_FSMART-DL-300LFP20SE65OP, 69163_FSMART-DL-300LFP30SE65OP, 63175_FSMART-DL-400LFP10SE65OP,
69164_FSMART-DL-400LFP15SE65OP, 63176_FSMART-DL-400LFP20SE65OP, 63177_FSMART-DL-500LFP10SE65OP, 63178_FSMART-DL-500LFP15SE65OP,
69165_FSMART-DL-500LFP20SE65OP.



SCHEDA TECNICA GENERALE



FAST_{SMART}

Compatibile DALI

63194_FSMART-DL-100LFP15SESA65OP, 63195_FSMART-DL-100LFP20SESA65OP, 63196_FSMART-DL-100LFP30SESA65OP, 63197_FSMART-DL-150LFP15SESA65OP, 63198_FSMART-DL-150LFP20SESA65OP, 63199_FSMART-DL-150LFP30SESA65OP, 63200_FSMART-DL-200LFP15SESA65OP, 63201_FSMART-DL-200LFP20SESA65OP, 63202_FSMART-DL-200LFP30SESA65OP, 66586_FSMART-DL-250LFP15SESA65OP, 66587_FSMART-DL-250LFP20SESA65OP, 66588_FSMART-DL-250LFP30SESA65OP, 63203_FSMART-DL-300LFP15SESA65OP, 63204_FSMART-DL-300LFP20SESA65OP, 69166_FSMART-DL-300LFP30SESA65OP, 63205_FSMART-DL-400LFP10SESA65OP, 69167_FSMART-DL-400LFP15SESA65OP, 63206_FSMART-DL-400LFP20SESA65OP, 63207_FSMART-DL-500LFP10SESA65OP, 63208_FSMART-DL-500LFP15SESA65OP, 69168_FSMART-DL-500LFP20SESA65OP.

FAST_{SMART}
VARIANT

11540_FASTSMART-VARIANT300-42SE, 11541_FASTSMART-VARIANT300-42SESA, 11542_FASTSMART-VARIANT500-42SE, 11543_FASTSMART-VARIANT500-42SESA, 11544_FASTSMART-VARIANT300-65SE, 11545_FASTSMART-VARIANT300-65SESA, 11547_FASTSMART-VARIANT500-65SE, 11550_FASTSMART-VARIANT500-65SESA,

Kontroller



Le lampade della serie autotesting necessitano del Kontroller, per il controllo e l'attivazione da remoto della modalità REST MODE

REST MODE by using Kontroller

Info

Le lampade IP65 vengono fornite con la guarnizione in silicone espanso già inserita + il raccordo tubo-lampada d. 20mm

The IP65 lamps are supplied with the expanded silicone gasket already inserted + the tube-lamp connection d. 20mm

