

Scheda tecnica generale

Lampada di emergenza a LED serie EKONOMY LED



Fabbricazione elettronica italiana al 100%
100% Italian electronics manufacturing

Alimentazione 230Vca -50/60 Hz
230Vca-50/60Hz input Power

Grado di protezione IP44 o IP65
IP44 or IP65 protection degree

Grado di resistenza agli urti IK08
IK08 shock resistance degree

Materiale corpo in policarbonato autoestinguente V2
Self-extinguishing (V2) polycarbonate body material

Materiale diffusore in policarbonato autoestinguente V2
Self-extinguishing (V2) polycarbonate reflector material

Temperatura operativa 0°C / +40°C
0°C / +40°C working temperature

Glow wire test 850°C (2.0mm)
850°C (2.0mm) glow wire test

Tipo di funzionamento S.E. o S.E./S.A.
NOT PERMANENT or PERMANENT functioning

Autonomia da 60 a 480 minuti
From 60 to 480 minutes autonomy

Tempo di ricarica 24 ore
24 hours recharging time

Montaggio a parete
Wall mounting

Batteria Ni-MH ricaricabile
Rechargeable Ni-MH battery

Ricarica della batteria a corrente costante
Battery recharging at constant rated current

Protezione della batteria a scarica completa
Battery protection at full discharging

LED verde spia presenza rete
Green LED power ON

Fonte luminosa LED Alta efficienza
LED High efficiency Light source

Gamma flusso luminoso nominale da 100 a 500 Lumen
Luminous flux range from 100 to 500 Lumens

Resa cromatica (CRI) 80
80 colour rendering index

Temperatura colore 5000K
5000K colour temperature

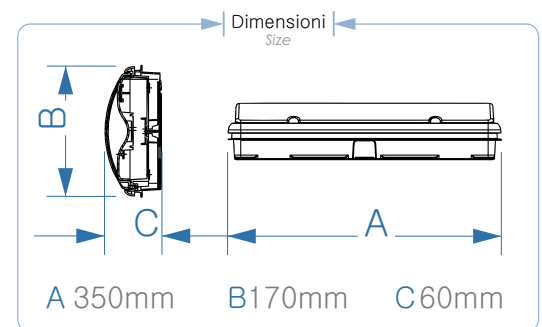
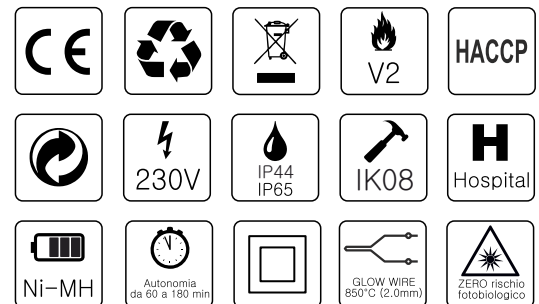
Rischio fotobiologico ZERO secondo EN62471
Photobiological NO-risk according to EN62471

Garanzia sulla fonte luminosa LED di 10 anni
10 years warranty on LED light source

Conforme alle normative vigenti:
Complies with current Standards:

- EN 61547 • EN 1838 • EN 60598-2-22 • EN 62471 • EN 55015, Classe B
- EN 60598-1 • EN 61347-2-7

EKONOMY LED

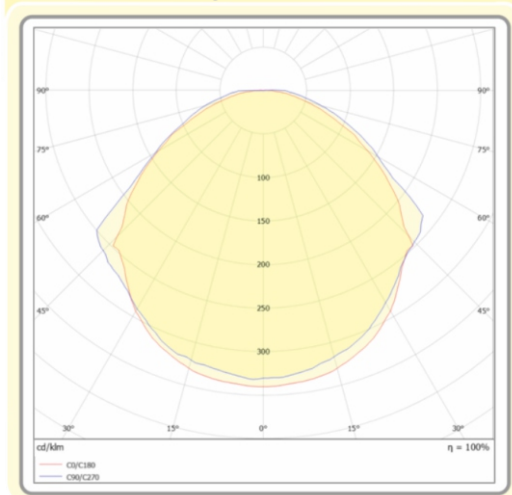


Le lampade IP65 vengono fornite con la guarnizione in silicone espanso già inserita + il raccordo tubo-lampada d.20mm

IP65 lamps are supplied with the foam silicone gasket (already inserted) + tube-lamp junction d. 20mm



Diagramma polare EKONOMY LED Polar diagram EKONOMY LED



Scheda tecnica generale

Lampada di emergenza a LED serie EKONOMY LED



08105 EKP100NM10SE44 - 09994 EKP100NM15SE44 - 08106 EKP100NM30SE44 - 08107 EKP100NM40SE44
08108 EKP100NM60SE44 - 09250 EKP140NM80SE44 - 07785 EKP150NM10SE44 - 09995 EKP150NM15SE44
08109 EKP150NM30SE44 - 08110 EKP150NM40SE44 - 07786 EKP200NM10SE44 - 08111 EKP200NM15SE44
08112 EKP200NM30SE44 - 08113 EKP250NM10SE44 - 08819 EKP250NM15SE44 - 08114 EKP250NM30SE44
07787 EKP300NM15SE44 - 08115 EKP300NM30SE44 - 07788 EKP400NM15SE44 - 07783 EKP400NM30SE44
08116 EKP500NM15SE44 - 07615 EKP500NM30SE44

08117 EKP100NM10SESA44 - 09996 EKP100NM15SESA44 - 08118 EKP100NM30SESA44 - 08119 EKP100NM40SESA44
08120 EKP100NM60SESA44 - 09252 EKP140NM80SESA44 - 08121 EKP150NM10SESA44 - 09997 EKP150NM15SESA44
08122 EKP150NM30SESA44 - 08123 EKP150NM40SESA44 - 08124 EKP200NM10SESA44 - 08125 EKP200NM15SESA44
08126 EKP200NM30SESA44 - 08127 EKP250NM10SESA44 - 09007 EKP250NM15SESA44 - 08128 EKP250NM30SESA44
08129 EKP300NM15SESA44 - 08130 EKP300NM30SESA44 - 08131 EKP400NM15SESA44 - 07611 EKP400NM30SESA44
08132 EKP500NM15SESA44 - 07617 EKP500NM30SESA44

08133 EKP100NM10SE65 - 07392 EKP100NM15SE65 - 08134 EKP100NM30SE65 - 08135 EKP100NM40SE65
08136 EKP100NM60SE65 - 09251 EKP140NM80SE65 - 08137 EKP150NM10SE65 - 07393 EKP150NM15SE65
08138 EKP150NM30SE65 - 08139 EKP150NM40SE65 - 08140 EKP200NM10SE65 - 08141 EKP200NM15SE65
08142 EKP200NM30SE65 - 08143 EKP250NM10SE65 - 09189 EKP250NM15SE65 - 08144 EKP250NM30SE65
08145 EKP300NM15SE65 - 08146 EKP300NM30SE65 - 08147 EKP400NM15SE65 - 07612 EKP400NM30SE65
08148 EKP500NM15SE65 - 07618 EKP500NM30SE65

08149 EKP100NM10SESA65 - 07394 EKP100NM15SESA65 - 08150 EKP100NM30SESA65 - 08151 EKP100NM40SESA65
08152 EKP100NM60SESA65 - 09253 EKP140NM80SESA65 - 08153 EKP150NM10SESA65 - 07395 EKP150NM15SESA65
08154 EKP150NM30SESA65 - 08155 EKP150NM40SESA65 - 08156 EKP200NM10SESA65 - 08157 EKP200NM15SESA65
08158 EKP200NM30SESA65 - 08159 EKP250NM10SESA65 - 09190 EKP250NM15SESA65 - 08160 EKP250NM30SESA65
08161 EKP300NM15SESA65 - 08162 EKP300NM30SESA65 - 08163 EKP400NM15SESA65 - 07613 EKP400NM30SESA65
08164 EKP500NM15SESA65 - 07619 EKP500NM30SESA65