

# SCHEDA TECNICA GENERALE

## Lampada di emergenza a LED Serie FRAME

Standard - Autotesting - DALI - Central System 485 / Radio



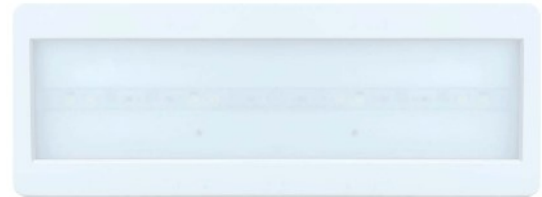
Fabbricazione elettronica italiana al 100%  
100% Italian electronics manufacturing

Montaggio a parete ed a plafone,  
predisposta per essere installata anche su scatola 503

Wall and ceiling mounting, designed for installation  
also on a 503 junction box.



Anche su  
scatola 503



Materiale corpo in policarbonato autoestinguente V2  
Body material in self-extinguishing (V2) polycarbonate

Materiale diffusore in policarbonato autoestinguente V2  
Reflector material in self-extinguishing (V2) polycarbonate

Alimentazione 230Vca-50/60 Hz  
Input Power 230Vca-50/60 Hz

Tipo di funzionamento S.E.- S.E./S.A.  
Type of functioning Not Permanent - Not Permanent / Permanent

Batteria LiFePO<sub>4</sub> ricaricabile  
Rechargeable LiFePO<sub>4</sub> battery

Autonomia 60 a 180 Minuti  
Autonomy 60 to 180 Minutes

Tempo di ricarica 12 ore  
Recharge time 12 hours

Flusso luminoso Nominale da 100 Lumen a 500 Lumen  
Luminous flux 100 Lumens to 500 Lumens

Ricarica della batteria a corrente costante  
Battery recharging at constant rated current

Protezione della batteria a scarica completa  
Battery protection at full discharging

Fonte luminosa LED Alta Efficienza  
Light source High Efficiency LED

Temperatura colore 5000K  
Temperature Colour 5000K

Glow wire test 850°C (2.0mm)  
Glow wire test 850°C (2.0mm)

Resa cromatica (CRI) 80  
Colour rendering index 80

Grado di protezione IP42, IP65  
Protection degree IP42, IP65

Grado di resistenza agli urti IK07  
Shock resistance degree IK07

Temperatura operativa 0°C +40°C  
Operating temperature 0°C +40°C

LED Verde spia presenza rete  
Green LED power ON

Garanzia sulla fonte luminosa LED di 10 anni  
10 years' warranty on LED light source

Basso rischio fotobiologico secondo EN62471  
Photobiological low-risk according to EN62471

Conforme alle normative vigenti:  
Complies with current Standards:

EN 61547; EN 1838; EN 60598-2-22; EN 62471; EN 55015,  
Classe B; EN 60598-1; EN 61347-2-7;

Per Autotesting, Central System 485 / Radio EN 62034;  
Compatibile DALI EN 62386-101 Edizione 1 / EN 62386102

# FRAME

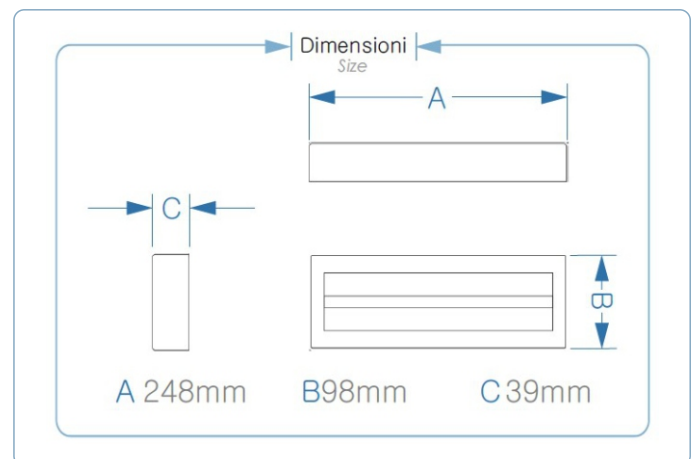
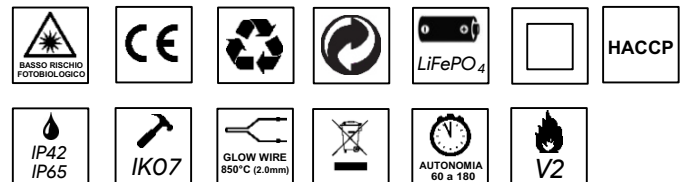
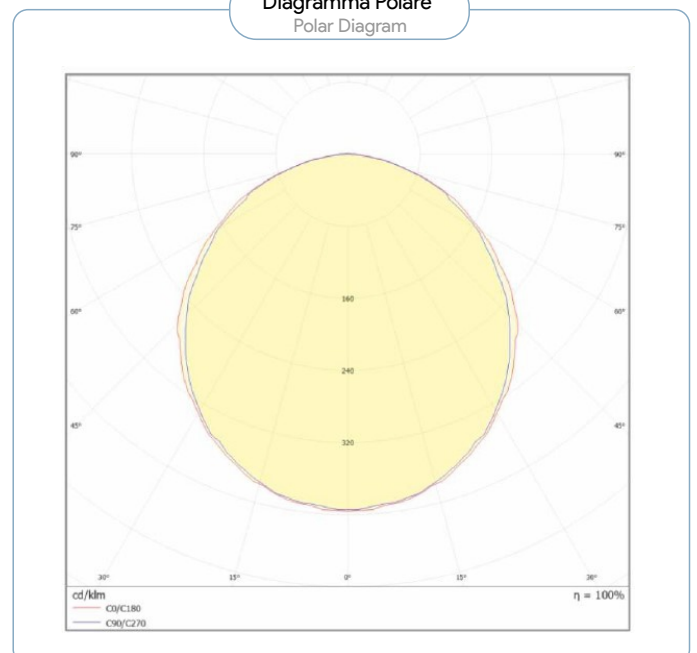


Diagramma Polare  
Polar Diagram



# SCHEDA TECNICA GENERALE



**FRAME**

## STANDARD (REST MODE) & AUTOTESTING

69821\_FRM100LFP10SE42, 29101\_FRM100LFP20SE42, 29102\_FRM100LFP30SE42, 29205\_FRM150LFP10SE42, 29103\_FRM150LFP20SE42, 29104\_FRM150LFP30SE42, 29116\_FRM200LFP10SE42, 29105\_FRM200LFP20SE42, 29106\_FRM200LFP30SE42, 29117\_FRM250LFP10SE42, 29107\_FRM250LFP20SE42, 29108\_FRM250LFP30SE42, 29109\_FRM300LFP10SE42, 29110\_FRM300LFP20SE42, 69822\_FRM300LFP30SE42, 69823\_FRM400LFP10SE42, 29111\_FRM400LFP15SE42, 29112\_FRM400LFP20SE42, 29113\_FRM500LFP10SE42, 29114\_FRM500LFP15SE42.

69824\_FRM500LFP20SE42, 69825\_FRM100LFP10SESA42, 29131\_FRM100LFP20SESA42, 29132\_FRM100LFP30SESA42, 29145\_FRM150LFP10SESA42, 29133\_FRM150LFP20SESA42, 29134\_FRM150LFP30SESA42, 29146\_FRM200LFP10SESA42, 29135\_FRM200LFP20SESA42, 29136\_FRM200LFP30SESA42, 29147\_FRM250LFP10SESA42, 29137\_FRM250LFP20SESA42, 29138\_FRM250LFP30SESA42, 29139\_FRM300LFP10SESA42, 29140\_FRM300LFP20SESA42, 69826\_FRM300LFP30SESA42, 69827\_FRM400LFP10SESA42, 29141\_FRM400LFP15SESA42, 29142\_FRM400LFP20SESA42, 29143\_FRM500LFP10SESA42, 29144\_FRM500LFP15SESA42, 69828\_FRM500LFP20SESA42.

69829\_FRM100LFP10SE65, 29161\_FRM100LFP20SE65, 29162\_FRM100LFP30SE65, 29175\_FRM150LFP10SE65, 29163\_FRM150LFP20SE65, 29164\_FRM150LFP30SE65, 29176\_FRM200LFP10SE65, 29165\_FRM200LFP20SE65, 29166\_FRM200LFP30SE65, 29177\_FRM250LFP10SE65, 29167\_FRM250LFP20SE65, 29168\_FRM250LFP30SE65, 29169\_FRM300LFP10SE65, 29170\_FRM300LFP20SE65, 69830\_FRM300LFP30SE65, 69831\_FRM400LFP10SE65, 29171\_FRM400LFP15SE65, 29172\_FRM400LFP20SE65, 29173\_FRM500LFP10SE65, 29174\_FRM500LFP15SE65, 69832\_FRM500LFP20SE65.

69833\_FRM100LFP10SESA65, 29191\_FRM100LFP20SESA65, 29192\_FRM100LFP30SESA65, 29206\_FRM150LFP10SESA65, 29193\_FRM150LFP20SESA65, 29194\_FRM150LFP30SESA65, 29207\_FRM200LFP10SESA65, 29195\_FRM200LFP20SESA65, 29196\_FRM200LFP30SESA65, 29208\_FRM250LFP10SESA65, 29197\_FRM250LFP20SESA65, 29198\_FRM250LFP30SESA65, 29199\_FRM300LFP10SESA65, 29200\_FRM300LFP20SESA65, 69834\_FRM300LFP30SESA65, 69835\_FRM400LFP10SESA65, 29201\_FRM400LFP15SESA65, 29202\_FRM400LFP20SESA65, 29203\_FRM500LFP10SESA65, 29204\_FRM500LFP15SESA65, 69836\_FRM500LFP20SESA65.

29500\_FRMT100LFP15SE42, 69169\_FRMT100LFP20SE42, 29501\_FRMT100LFP30SE42, 29503\_FRMT150LFP15SE42, 69170\_FRMT150LFP20SE42, 29504\_FRMT150LFP30SE42, 29506\_FRMT200LFP15SE42, 69171\_FRMT200LFP20SE42, 29507\_FRMT200LFP30SE42, 29509\_FRMT250LFP15SE42, 69172\_FRMT250LFP20SE42, 29510\_FRMT250LFP30SE42, 29511\_FRMT300LFP15SE42, 29512\_FRMT300LFP20SE42, 69173\_FRMT300LFP30SE42, 69174\_FRMT400LFP10SE42, 29513\_FRMT400LFP15SE42, 29514\_FRMT400LFP20SE42, 29515\_FRMT500LFP10SE42, 29516\_FRMT500LFP15SE42, 69175\_FRMT500LFP20SE42.

29550\_FRMT100LFP15SESA42, 69176\_FRMT100LFP20SESA42, 29551\_FRMT100LFP30SESA42, 29553\_FRMT150LFP15SESA42, 69177\_FRMT150LFP20SESA42, 29554\_FRMT150LFP30SESA42, 29556\_FRMT200LFP15SESA42, 69178\_FRMT200LFP20SESA42, 29557\_FRMT200LFP30SESA42, 29559\_FRMT250LFP15SESA42, 69179\_FRMT250LFP20SESA42, 29560\_FRMT250LFP30SESA42, 29561\_FRMT300LFP15SESA42, 29562\_FRMT300LFP20SESA42, 69180\_FRMT300LFP30SESA42, 69181\_FRMT400LFP10SESA42, 29563\_FRMT400LFP15SESA42, 29564\_FRMT400LFP20SESA42, 29565\_FRMT500LFP10SESA42, 29566\_FRMT500LFP15SESA42, 69182\_FRMT500LFP20SESA42.

29600\_FRMT100LFP15SE65, 69183\_FRMT100LFP20SE65, 29601\_FRMT100LFP30SE65, 29603\_FRMT150LFP15SE65, 69184\_FRMT150LFP20SE65, 29604\_FRMT150LFP30SE65, 29606\_FRMT200LFP15SE65, 69185\_FRMT200LFP20SE65, 29607\_FRMT200LFP30SE65, 29609\_FRMT250LFP15SE65, 69186\_FRMT250LFP20SE65, 29610\_FRMT250LFP30SE65, 29611\_FRMT300LFP15SE65, 29612\_FRMT300LFP20SE65, 69187\_FRMT300LFP30SE65, 69188\_FRMT400LFP10SE65, 29613\_FRMT400LFP15SE65, 29614\_FRMT400LFP20SE65, 29615\_FRMT500LFP10SE65, 29616\_FRMT500LFP15SE65, 69189\_FRMT500LFP20SE65.

29650\_FRMT100LFP15SESA65, 69190\_FRMT100LFP20SESA65, 29651\_FRMT100LFP30SESA65, 29653\_FRMT150LFP15SESA65, 69191\_FRMT150LFP20SESA65, 29654\_FRMT150LFP30SESA65, 29656\_FRMT200LFP15SESA65, 69192\_FRMT200LFP20SESA65, 29657\_FRMT200LFP30SESA65, 29659\_FRMT250LFP15SESA65, 69193\_FRMT250LFP20SESA65, 29660\_FRMT250LFP30SESA65, 29661\_FRMT300LFP15SESA65, 29662\_FRMT300LFP20SESA65, 69194\_FRMT300LFP30SESA65, 69195\_FRMT400LFP10SESA65, 29663\_FRMT400LFP15SESA65, 29664\_FRMT400LFP20SESA65, 29665\_FRMT500LFP10SESA65, 29666\_FRMT500LFP15SESA65, 69196\_FRMT500LFP20SESA65.



# SCHEDA TECNICA GENERALE



**FRAME**

## CENTRAL SYSTEM - 485

29700\_FRMC100LFP15SE42, 69197\_FRMC100LFP20SE42, 29701\_FRMC100LFP30SE42, 29703\_FRMC150LFP15SE42, 69198\_FRMC150LFP20SE42, 29704\_FRMC150LFP30SE42, 29706\_FRMC200LFP15SE42, 69199\_FRMC200LFP20SE42, 29707\_FRMC200LFP30SE42, 29709\_FRMC250LFP15SE42, 69200\_FRMC250LFP20SE42, 29710\_FRMC250LFP30SE42, 29711\_FRMC300LFP15SE42, 29712\_FRMC300LFP20SE42, 69201\_FRMC300LFP30SE42, 69202\_FRMC400LFP10SE42, 29713\_FRMC400LFP15SE42, 29714\_FRMC400LFP20SE42, 29715\_FRMC500LFP10SE42, 29716\_FRMC500LFP15SE42, 69203\_FRMC500LFP20SE42.

29750\_FRMC100LFP15SESA42, 69204\_FRMC100LFP20SESA42, 29751\_FRMC100LFP30SESA42, 29753\_FRMC150LFP15SESA42, 69205\_FRMC150LFP20SESA42, 29754\_FRMC150LFP30SESA42, 29756\_FRMC200LFP15SESA42, 69206\_FRMC200LFP20SESA42, 29757\_FRMC200LFP30SESA42, 29759\_FRMC250LFP15SESA42, 69207\_FRMC250LFP20SESA42, 29760\_FRMC250LFP30SESA42, 29761\_FRMC300LFP15SESA42, 29762\_FRMC300LFP20SESA42, 69208\_FRMC300LFP30SESA42, 69209\_FRMC400LFP10SESA42, 29763\_FRMC400LFP15SESA42, 29764\_FRMC400LFP20SESA42, 29765\_FRMC500LFP10SESA42, 29766\_FRMC500LFP15SESA42, 69210\_FRMC500LFP20SESA42.

29800\_FRMC100LFP15SE65, 69211\_FRMC100LFP20SE65, 29801\_FRMC100LFP30SE65, 29803\_FRMC150LFP15SE65, 69212\_FRMC150LFP20SE65, 29804\_FRMC150LFP30SE65, 29806\_FRMC200LFP15SE65, 69213\_FRMC200LFP20SE65, 29807\_FRMC200LFP30SE65, 29809\_FRMC250LFP15SE65, 69214\_FRMC250LFP20SE65, 29810\_FRMC250LFP30SE65, 29811\_FRMC300LFP15SE65, 29812\_FRMC300LFP20SE65, 69215\_FRMC300LFP30SE65, 69216\_FRMC400LFP10SE65, 29813\_FRMC400LFP15SE65, 29814\_FRMC400LFP20SE65, 29815\_FRMC500LFP10SE65, 29816\_FRMC500LFP15SE65, 69217\_FRMC500LFP20SE65.

29850\_FRMC100LFP15SESA65, 69218\_FRMC100LFP20SESA65, 29851\_FRMC100LFP30SESA65, 29853\_FRMC150LFP15SESA65, 69219\_FRMC150LFP20SESA65, 29854\_FRMC150LFP30SESA65, 29856\_FRMC200LFP15SESA65, 69220\_FRMC200LFP20SESA65, 29857\_FRMC200LFP30SESA65, 29859\_FRMC250LFP15SESA65, 69221\_FRMC250LFP20SESA65, 29860\_FRMC250LFP30SESA65, 29861\_FRMC300LFP15SESA65, 29862\_FRMC300LFP20SESA65, 69222\_FRMC300LFP30SESA65, 69223\_FRMC400LFP10SESA65, 29863\_FRMC400LFP15SESA65, 29864\_FRMC400LFP20SESA65, 29865\_FRMC500LFP10SESA65, 29866\_FRMC500LFP15SESA65, 69224\_FRMC500LFP20SESA65.

## CENTRAL SYSTEM RADIO

67334\_FRM-CRX-100LFP15SE42, 69225\_FRM-CRX-100LFP20SE42, 67335\_FRM-CRX-100LFP30SE42, 67337\_FRM-CRX-150LFP15SE42, 69226\_FRM-CRX-150LFP20SE42, 67338\_FRM-CRX-150LFP30SE42, 67340\_FRM-CRX-200LFP15SE42, 69227\_FRM-CRX-200LFP20SE42, 67341\_FRM-CRX-200LFP30SE42, 67343\_FRM-CRX-250LFP15SE42, 69228\_FRM-CRX-250LFP20SE42, 67344\_FRM-CRX-250LFP30SE42, 67345\_FRM-CRX-300LFP15SE42, 67346\_FRM-CRX-300LFP20SE42, 69229\_FRM-CRX-300LFP30SE42, 69230\_FRM-CRX-400LFP10SE42, 67347\_FRM-CRX-400LFP15SE42, 67348\_FRM-CRX-400LFP20SE42, 67349\_FRM-CRX-500LFP10SE42, 67350\_FRM-CRX-500LFP15SE42, 69231\_FRM-CRX-500LFP20SE42.

67368\_FRM-CRX-100LFP15SESA42, 69232\_FRM-CRX-100LFP20SESA42, 67369\_FRM-CRX-100LFP30SESA42, 67371\_FRM-CRX-150LFP15SESA42, 69233\_FRM-CRX-150LFP20SESA42, 67372\_FRM-CRX-150LFP30SESA42, 67374\_FRM-CRX-200LFP15SESA42, 69234\_FRM-CRX-200LFP20SESA42, 67375\_FRM-CRX-200LFP30SESA42, 67377\_FRM-CRX-250LFP15SESA42, 69235\_FRM-CRX-250LFP20SESA42, 67378\_FRM-CRX-250LFP30SESA42, 67379\_FRM-CRX-300LFP15SESA42, 67380\_FRM-CRX-300LFP20SESA42, 69236\_FRM-CRX-300LFP30SESA42, 69237\_FRM-CRX-400LFP10SESA42, 67381\_FRM-CRX-400LFP15SESA42, 67382\_FRM-CRX-400LFP20SESA42, 67383\_FRM-CRX-500LFP10SESA42, 67384\_FRM-CRX-500LFP15SESA42, 69238\_FRM-CRX-500LFP20SESA42.



# SCHEMA TECNICA GENERALE



**FRAME**



67351\_FRM-CRX-100LFP15SE65, 69239\_FRM-CRX-100LFP20SE65, 67352\_FRM-CRX-100LFP30SE65,  
67354\_FRM-CRX-150LFP15SE65, 69240\_FRM-CRX-150LFP20SE65, 67355\_FRM-CRX-150LFP30SE65,  
67357\_FRM-CRX-200LFP15SE65, 69241\_FRM-CRX-200LFP20SE65, 67358\_FRM-CRX-200LFP30SE65,  
67360\_FRM-CRX-250LFP15SE65, 69242\_FRM-CRX-250LFP20SE65, 67361\_FRM-CRX-250LFP30SE65,  
67362\_FRM-CRX-300LFP15SE65, 67363\_FRM-CRX-300LFP20SE65, 69243\_FRM-CRX-300LFP30SE65,  
69244\_FRM-CRX-400LFP10SE65, 67364\_FRM-CRX-400LFP15SE65, 67365\_FRM-CRX-400LFP20SE65,  
67366\_FRM-CRX-500LFP10SE65, 67367\_FRM-CRX-500LFP15SE65, 69245\_FRM-CRX-500LFP20SE65.

67385\_FRM-CRX-100LFP15SESA65, 69246\_FRM-CRX-100LFP20SESA65, 67386\_FRM-CRX-100LFP30SESA65,  
67388\_FRM-CRX-150LFP15SESA65, 69247\_FRM-CRX-150LFP20SESA65, 67389\_FRM-CRX-150LFP30SESA65,  
67391\_FRM-CRX-200LFP15SESA65, 69248\_FRM-CRX-200LFP20SESA65, 67392\_FRM-CRX-200LFP30SESA65,  
67394\_FRM-CRX-250LFP15SESA65, 69249\_FRM-CRX-250LFP20SESA65, 67395\_FRM-CRX-250LFP30SESA65,  
67396\_FRM-CRX-300LFP15SESA65, 67397\_FRM-CRX-300LFP20SESA65, 69250\_FRM-CRX-300LFP30SESA65,  
69251\_FRM-CRX-400LFP10SESA65, 67398\_FRM-CRX-400LFP15SESA65, 67399\_FRM-CRX-400LFP20SESA65,  
67400\_FRM-CRX-500LFP10SESA65, 67401\_FRM-CRX-500LFP15SESA65, 69252\_FRM-CRX-500LFP20SESA65.

Compatibile DALI

63349\_FRM-DL-100LFP15SE42, 69253\_FRM-DL-100LFP20SE42, 63350\_FRM-DL-100LFP30SE42, 63352\_FRM-DL-150LFP15SE42,  
69254\_FRM-DL-150LFP20SE42, 63353\_FRM-DL-150LFP30SE42, 63355\_FRM-DL-200LFP15SE42, 69255\_FRM-DL-200LFP20SE42,  
63356\_FRM-DL-200LFP30SE42, 63358\_FRM-DL-250LFP15SE42, 69256\_FRM-DL-250LFP20SE42, 63359\_FRM-DL-250LFP30SE42,  
63360\_FRM-DL-300LFP15SE42, 63361\_FRM-DL-300LFP20SE42, 69257\_FRM-DL-300LFP30SE42, 69258\_FRM-DL-400LFP10SE42,  
63362\_FRM-DL-400LFP15SE42, 63363\_FRM-DL-400LFP20SE42, 63364\_FRM-DL-500LFP10SE42, 63365\_FRM-DL-500LFP15SE42,  
69259\_FRM-DL-500LFP20SE42.

63383\_FRM-DL-100LFP15SESA42, 69260\_FRM-DL-100LFP20SESA42, 63384\_FRM-DL-100LFP30SESA42, 63386\_FRM-DL-150LFP15SESA42,  
69261\_FRM-DL-150LFP20SESA42, 63387\_FRM-DL-150LFP30SESA42, 63389\_FRM-DL-200LFP15SESA42, 69262\_FRM-DL-200LFP20SESA42,  
63390\_FRM-DL-200LFP30SESA42, 63392\_FRM-DL-250LFP15SESA42, 69263\_FRM-DL-250LFP20SESA42, 63393\_FRM-DL-250LFP30SESA42,  
63394\_FRM-DL-300LFP15SESA42, 63395\_FRM-DL-300LFP20SESA42, 69264\_FRM-DL-300LFP30SESA42, 69265\_FRM-DL-400LFP10SESA42,  
63396\_FRM-DL-400LFP15SESA42, 63397\_FRM-DL-400LFP20SESA42, 63398\_FRM-DL-500LFP10SESA42, 63399\_FRM-DL-500LFP15SESA42,  
69266\_FRM-DL-500LFP20SESA42.

63366\_FRM-DL-100LFP15SE65, 69267\_FRM-DL-100LFP20SE65, 63367\_FRM-DL-100LFP30SE65, 63369\_FRM-DL-150LFP15SE65,  
69268\_FRM-DL-150LFP20SE65, 63370\_FRM-DL-150LFP30SE65, 63372\_FRM-DL-200LFP15SE65, 69269\_FRM-DL-200LFP20SE65,  
63373\_FRM-DL-200LFP30SE65, 63375\_FRM-DL-250LFP15SE65, 69270\_FRM-DL-250LFP20SE65, 63376\_FRM-DL-250LFP30SE65,  
63377\_FRM-DL-300LFP15SE65, 63378\_FRM-DL-300LFP20SE65, 69271\_FRM-DL-300LFP30SE65, 69272\_FRM-DL-400LFP10SE65,  
63379\_FRM-DL-400LFP15SE65, 63380\_FRM-DL-400LFP20SE65, 63381\_FRM-DL-500LFP10SE65, 63382\_FRM-DL-500LFP15SE65,  
69273\_FRM-DL-500LFP20SE65.

63400\_FRM-DL-100LFP15SESA65, 69274\_FRM-DL-100LFP20SESA65, 63401\_FRM-DL-100LFP30SESA65, 63403\_FRM-DL-150LFP15SESA65,  
69275\_FRM-DL-150LFP20SESA65, 63404\_FRM-DL-150LFP30SESA65, 63406\_FRM-DL-200LFP15SESA65, 69276\_FRM-DL-200LFP20SESA65,  
63407\_FRM-DL-200LFP30SESA65, 63409\_FRM-DL-250LFP15SESA65, 69277\_FRM-DL-250LFP20SESA65, 63410\_FRM-DL-250LFP30SESA65,  
63411\_FRM-DL-300LFP15SESA65, 63412\_FRM-DL-300LFP20SESA65, 69278\_FRM-DL-300LFP30SESA65, 69279\_FRM-DL-400LFP10SESA65,  
63413\_FRM-DL-400LFP15SESA65, 63414\_FRM-DL-400LFP20SESA65, 63415\_FRM-DL-500LFP10SESA65, 63416\_FRM-DL-500LFP15SESA65,  
69280\_FRM-DL-500LFP20SESA65.



# SCHEDA TECNICA GENERALE



**FRAME BLACK**

## STANDARD (REST MODE) & AUTOTESTING

69837\_FRMB100LFP10SE42, 29231\_FRMB100LFP20SE42, 29232\_FRMB100LFP30SE42, 29233\_FRMB150LFP10SE42, 29234\_FRMB150LFP20SE42, 29235\_FRMB150LFP30SE42, 29236\_FRMB200LFP10SE42, 29237\_FRMB200LFP20SE42, 29238\_FRMB200LFP30SE42, 29239\_FRMB250LFP10SE42, 29240\_FRMB250LFP20SE42, 29241\_FRMB250LFP30SE42, 29242\_FRMB300LFP10SE42, 29243\_FRMB300LFP20SE42, 69838\_FRMB300LFP30SE42, 69839\_FRMB400LFP10SE42, 29244\_FRMB400LFP15SE42, 29245\_FRMB400LFP20SE42, 29246\_FRMB500LFP10SE42, 29247\_FRMB500LFP15SE42, 69840\_FRMB500LFP20SE42.

69841\_FRMB100LFP10SESA42, 00008\_FRMB100LFP20SESA42, 29272\_FRMB100LFP30SESA42, 29273\_FRMB150LFP10SESA42, 29274\_FRMB150LFP20SESA42, 29275\_FRMB150LFP30SESA42, 29276\_FRMB200LFP10SESA42, 29277\_FRMB200LFP20SESA42, 29278\_FRMB200LFP30SESA42, 29279\_FRMB250LFP10SESA42, 29280\_FRMB250LFP20SESA42, 29281\_FRMB250LFP30SESA42, 29282\_FRMB300LFP10SESA42, 29283\_FRMB300LFP20SESA42, 69842\_FRMB300LFP30SESA42, 69843\_FRMB400LFP10SESA42, 29284\_FRMB400LFP15SESA42, 29285\_FRMB400LFP20SESA42, 29286\_FRMB500LFP10SESA42, 29287\_FRMB500LFP15SESA42, 69844\_FRMB500LFP20SESA42.

69845\_FRMB100LFP10SE65, 29311\_FRMB100LFP20SE65, 29312\_FRMB100LFP30SE65, 29313\_FRMB150LFP10SE65, 29314\_FRMB150LFP20SE65, 29315\_FRMB150LFP30SE65, 29316\_FRMB200LFP10SE65, 29317\_FRMB200LFP20SE65, 29318\_FRMB200LFP30SE65, 29319\_FRMB250LFP10SE65, 29320\_FRMB250LFP20SE65, 29321\_FRMB250LFP30SE65, 29322\_FRMB300LFP10SE65, 29323\_FRMB300LFP20SE65, 69846\_FRMB300LFP30SE65, 69847\_FRMB400LFP10SE65, 29324\_FRMB400LFP15SE65, 29325\_FRMB400LFP20SE65, 29326\_FRMB500LFP10SE65, 29327\_FRMB500LFP15SE65, 69848\_FRMB500LFP20SE65.

69849\_FRMB100LFP10SESA65, 29351\_FRMB100LFP20SESA65, 29352\_FRMB100LFP30SESA65, 29353\_FRMB150LFP10SESA65, 29354\_FRMB150LFP20SESA65, 29355\_FRMB150LFP30SESA65, 29356\_FRMB200LFP10SESA65, 29357\_FRMB200LFP20SESA65, 29358\_FRMB200LFP30SESA65, 29359\_FRMB250LFP10SESA65, 29360\_FRMB250LFP20SESA65, 29361\_FRMB250LFP30SESA65, 29362\_FRMB300LFP10SESA65, 29363\_FRMB300LFP20SESA65, 69850\_FRMB300LFP30SESA65, 69851\_FRMB400LFP10SESA65, 29364\_FRMB400LFP15SESA65, 29365\_FRMB400LFP20SESA65, 29366\_FRMB500LFP10SESA65, 29367\_FRMB500LFP15SESA65, 69852\_FRMB500LFP20SESA65.

30700\_FRMBT100LFP15SE42, 69281\_FRMBT100LFP20SE42, 30701\_FRMBT100LFP30SE42, 30703\_FRMBT150LFP15SE42, 69282\_FRMBT150LFP20SE42, 30704\_FRMBT150LFP30SE42, 30706\_FRMBT200LFP15SE42, 69283\_FRMBT200LFP20SE42, 30707\_FRMBT200LFP30SE42, 30709\_FRMBT250LFP15SE42, 69284\_FRMBT250LFP20SE42, 30710\_FRMBT250LFP30SE42, 30711\_FRMBT300LFP15SE42, 30712\_FRMBT300LFP20SE42, 69285\_FRMBT300LFP30SE42, 69286\_FRMBT400LFP10SE42, 30713\_FRMBT400LFP15SE42, 30714\_FRMBT400LFP20SE42, 30715\_FRMBT500LFP10SE42, 30716\_FRMBT500LFP15SE42, 69287\_FRMBT500LFP20SE42.

30750\_FRMBT100LFP15SESA42, 69288\_FRMBT100LFP20SESA42, 30751\_FRMBT100LFP30SESA42, 30753\_FRMBT150LFP15SESA42, 69289\_FRMBT150LFP20SESA42, 30754\_FRMBT150LFP30SESA42, 30756\_FRMBT200LFP15SESA42, 69290\_FRMBT200LFP20SESA42, 30757\_FRMBT200LFP30SESA42, 30759\_FRMBT250LFP15SESA42, 69291\_FRMBT250LFP20SESA42, 30760\_FRMBT250LFP30SESA42, 30761\_FRMBT300LFP15SESA42, 30762\_FRMBT300LFP20SESA42, 69292\_FRMBT300LFP30SESA42, 69293\_FRMBT400LFP10SESA42, 30763\_FRMBT400LFP15SESA42, 30764\_FRMBT400LFP20SESA42, 30765\_FRMBT500LFP10SESA42, 30766\_FRMBT500LFP15SESA42, 69294\_FRMBT500LFP20SESA42.

30800\_FRMBT100LFP15SE65, 69295\_FRMBT100LFP20SE65, 30801\_FRMBT100LFP30SE65, 30803\_FRMBT150LFP15SE65, 69296\_FRMBT150LFP20SE65, 30804\_FRMBT150LFP30SE65, 30806\_FRMBT200LFP15SE65, 69297\_FRMBT200LFP20SE65, 30807\_FRMBT200LFP30SE65, 30809\_FRMBT250LFP15SE65, 69298\_FRMBT250LFP20SE65, 30810\_FRMBT250LFP30SE65, 30811\_FRMBT300LFP15SE65, 30812\_FRMBT300LFP20SE65, 69299\_FRMBT300LFP30SE65, 69300\_FRMBT400LFP10SE65, 30813\_FRMBT400LFP15SE65, 30814\_FRMBT400LFP20SE65, 30815\_FRMBT500LFP10SE65, 30816\_FRMBT500LFP15SE65, 69301\_FRMBT500LFP20SE65.

30850\_FRMBT100LFP15SESA65, 69302\_FRMBT100LFP20SESA65, 30851\_FRMBT100LFP30SESA65, 30853\_FRMBT150LFP15SESA65, 69303\_FRMBT150LFP20SESA65, 30854\_FRMBT150LFP30SESA65, 30856\_FRMBT200LFP15SESA65, 69304\_FRMBT200LFP20SESA65, 30857\_FRMBT200LFP30SESA65, 30859\_FRMBT250LFP15SESA65, 69305\_FRMBT250LFP20SESA65, 30860\_FRMBT250LFP30SESA65, 30861\_FRMBT300LFP15SESA65, 30862\_FRMBT300LFP20SESA65, 69306\_FRMBT300LFP30SESA65, 69307\_FRMBT400LFP10SESA65, 30863\_FRMBT400LFP15SESA65, 30864\_FRMBT400LFP20SESA65, 30865\_FRMBT500LFP10SESA65, 30866\_FRMBT500LFP15SESA65, 69308\_FRMBT500LFP20SESA65.



# SCHEDA TECNICA GENERALE



**FRAME BLACK**

**CENTRAL SYSTEM - 485**

30900\_FRMBC100LFP15SE42, 69309\_FRMBC100LFP20SE42, 30901\_FRMBC100LFP30SE42, 30903\_FRMBC150LFP15SE42, 69310\_FRMBC150LFP20SE42, 30904\_FRMBC150LFP30SE42, 30906\_FRMBC200LFP15SE42, 69311\_FRMBC200LFP20SE42, 30907\_FRMBC200LFP30SE42, 30909\_FRMBC250LFP15SE42, 69312\_FRMBC250LFP20SE42, 30910\_FRMBC250LFP30SE42, 30911\_FRMBC300LFP15SE42, 30912\_FRMBC300LFP20SE42, 69313\_FRMBC300LFP30SE42, 69314\_FRMBC400LFP10SE42, 30913\_FRMBC400LFP15SE42, 30914\_FRMBC400LFP20SE42, 30915\_FRMBC500LFP10SE42, 30916\_FRMBC500LFP15SE42, 69315\_FRMBC500LFP20SE42.

30950\_FRMBC100LFP15SESA42, 69316\_FRMBC100LFP20SESA42, 30951\_FRMBC100LFP30SESA42, 30953\_FRMBC150LFP15SESA42, 69317\_FRMBC150LFP20SESA42, 30954\_FRMBC150LFP30SESA42, 30956\_FRMBC200LFP15SESA42, 69318\_FRMBC200LFP20SESA42, 30957\_FRMBC200LFP30SESA42, 30959\_FRMBC250LFP15SESA42, 69319\_FRMBC250LFP20SESA42, 30960\_FRMBC250LFP30SESA42, 30961\_FRMBC300LFP15SESA42, 30962\_FRMBC300LFP20SESA42, 69320\_FRMBC300LFP30SESA42, 69321\_FRMBC400LFP10SESA42, 30963\_FRMBC400LFP15SESA42, 30964\_FRMBC400LFP20SESA42, 30965\_FRMBC500LFP10SESA42, 30966\_FRMBC500LFP15SESA42, 69322\_FRMBC500LFP20SESA42.

31000\_FRMBC100LFP15SE65, 69323\_FRMBC100LFP20SE65, 31001\_FRMBC100LFP30SE65, 31003\_FRMBC150LFP15SE65, 69324\_FRMBC150LFP20SE65, 31004\_FRMBC150LFP30SE65, 31006\_FRMBC200LFP15SE65, 69325\_FRMBC200LFP20SE65, 31007\_FRMBC200LFP30SE65, 31009\_FRMBC250LFP15SE65, 69326\_FRMBC250LFP20SE65, 31010\_FRMBC250LFP30SE65, 31011\_FRMBC300LFP15SE65, 31012\_FRMBC300LFP20SE65, 69327\_FRMBC300LFP30SE65, 69328\_FRMBC400LFP10SE65, 31013\_FRMBC400LFP15SE65, 31014\_FRMBC400LFP20SE65, 31015\_FRMBC500LFP10SE65, 31016\_FRMBC500LFP15SE65, 69329\_FRMBC500LFP20SE65.

31050\_FRMBC100LFP15SESA65, 69330\_FRMBC100LFP20SESA65, 31051\_FRMBC100LFP30SESA65, 31053\_FRMBC150LFP15SESA65, 69331\_FRMBC150LFP20SESA65, 31054\_FRMBC150LFP30SESA65, 31056\_FRMBC200LFP15SESA65, 69332\_FRMBC200LFP20SESA65, 31057\_FRMBC200LFP30SESA65, 31059\_FRMBC250LFP15SESA65, 69333\_FRMBC250LFP20SESA65, 31060\_FRMBC250LFP30SESA65, 31061\_FRMBC300LFP15SESA65, 31062\_FRMBC300LFP20SESA65, 69334\_FRMBC300LFP30SESA65, 69335\_FRMBC400LFP10SESA65, 31063\_FRMBC400LFP15SESA65, 31064\_FRMBC400LFP20SESA65, 31065\_FRMBC500LFP10SESA65, 31066\_FRMBC500LFP15SESA65, 69336\_FRMBC500LFP20SESA65.

**CENTRAL SYSTEM RADIO**

67418\_FRMB-CRX-100LFP15SE42, 69337\_FRMB-CRX-100LFP20SE42, 67419\_FRMB-CRX-100LFP30SE42, 67421\_FRMB-CRX-150LFP15SE42, 69338\_FRMB-CRX-150LFP20SE42, 67422\_FRMB-CRX-150LFP30SE42, 67424\_FRMB-CRX-200LFP15SE42, 69339\_FRMB-CRX-200LFP20SE42, 67425\_FRMB-CRX-200LFP30SE42, 67427\_FRMB-CRX-250LFP15SE42, 69340\_FRMB-CRX-250LFP20SE42, 67428\_FRMB-CRX-250LFP30SE42, 67429\_FRMB-CRX-300LFP15SE42, 67430\_FRMB-CRX-300LFP20SE42, 69341\_FRMB-CRX-300LFP30SE42, 69342\_FRMB-CRX-400LFP10SE42, 67431\_FRMB-CRX-400LFP15SE42, 67432\_FRMB-CRX-400LFP20SE42, 67433\_FRMB-CRX-500LFP10SE42, 67434\_FRMB-CRX-500LFP15SE42, 69343\_FRMB-CRX-500LFP20SE42.

67452\_FRMB-CRX-100LFP15SESA42, 69344\_FRMB-CRX-100LFP20SESA42, 67453\_FRMB-CRX-100LFP30SESA42, 67455\_FRMB-CRX-150LFP15SESA42, 69345\_FRMB-CRX-150LFP20SESA42, 67456\_FRMB-CRX-150LFP30SESA42, 67458\_FRMB-CRX-200LFP15SESA42, 69346\_FRMB-CRX-200LFP20SESA42, 67459\_FRMB-CRX-200LFP30SESA42, 67461\_FRMB-CRX-250LFP15SESA42, 69347\_FRMB-CRX-250LFP20SESA42, 67462\_FRMB-CRX-250LFP30SESA42, 67463\_FRMB-CRX-300LFP15SESA42, 67464\_FRMB-CRX-300LFP20SESA42, 69348\_FRMB-CRX-300LFP30SESA42, 69349\_FRMB-CRX-400LFP10SESA42, 67465\_FRMB-CRX-400LFP15SESA42, 67466\_FRMB-CRX-400LFP20SESA42, 67467\_FRMB-CRX-500LFP10SESA42, 67468\_FRMB-CRX-500LFP15SESA42, 69350\_FRMB-CRX-500LFP20SESA42.

67435\_FRMB-CRX-100LFP15SE65, 69351\_FRMB-CRX-100LFP20SE65, 67436\_FRMB-CRX-100LFP30SE65, 67438\_FRMB-CRX-150LFP15SE65, 69352\_FRMB-CRX-150LFP20SE65, 67439\_FRMB-CRX-150LFP30SE65, 67441\_FRMB-CRX-200LFP15SE65, 69353\_FRMB-CRX-200LFP20SE65, 67442\_FRMB-CRX-200LFP30SE65, 67444\_FRMB-CRX-250LFP15SE65, 69354\_FRMB-CRX-250LFP20SE65, 67445\_FRMB-CRX-250LFP30SE65, 67446\_FRMB-CRX-300LFP15SE65, 67447\_FRMB-CRX-300LFP20SE65, 69355\_FRMB-CRX-300LFP30SE65, 69356\_FRMB-CRX-400LFP10SE65, 67448\_FRMB-CRX-400LFP15SE65, 67449\_FRMB-CRX-400LFP20SE65, 67450\_FRMB-CRX-500LFP10SE65, 67451\_FRMB-CRX-500LFP15SE65, 69357\_FRMB-CRX-500LFP20SE65.

67469\_FRMB-CRX-100LFP15SESA65, 69358\_FRMB-CRX-100LFP20SESA65, 67470\_FRMB-CRX-100LFP30SESA65, 67472\_FRMB-CRX-150LFP15SESA65, 69359\_FRMB-CRX-150LFP20SESA65, 67473\_FRMB-CRX-150LFP30SESA65, 67475\_FRMB-CRX-200LFP15SESA65, 69360\_FRMB-CRX-200LFP20SESA65, 67476\_FRMB-CRX-200LFP30SESA65, 67478\_FRMB-CRX-250LFP15SESA65, 69361\_FRMB-CRX-250LFP20SESA65, 67479\_FRMB-CRX-250LFP30SESA65, 67480\_FRMB-CRX-300LFP15SESA65, 67481\_FRMB-CRX-300LFP20SESA65, 69362\_FRMB-CRX-300LFP30SESA65, 69363\_FRMB-CRX-400LFP10SESA65, 67482\_FRMB-CRX-400LFP15SESA65, 67483\_FRMB-CRX-400LFP20SESA65, 67484\_FRMB-CRX-500LFP10SESA65, 67485\_FRMB-CRX-500LFP15SESA65, 69364\_FRMB-CRX-500LFP20SESA65.



# SCHEDA TECNICA GENERALE



**FRAME BLACK**

Compatibile DALI

63497\_FRMB-DL-100LFP15SE42, 69365\_FRMB-DL-100LFP20SE42, 63498\_FRMB-DL-100LFP30SE42, 63500\_FRMB-DL-150LFP15SE42, 69366\_FRMB-DL-150LFP20SE42, 63501\_FRMB-DL-150LFP30SE42, 63503\_FRMB-DL-200LFP15SE42, 69367\_FRMB-DL-200LFP20SE42, 63504\_FRMB-DL-200LFP30SE42, 63506\_FRMB-DL-250LFP15SE42, 69368\_FRMB-DL-250LFP20SE42, 63507\_FRMB-DL-250LFP30SE42, 63508\_FRMB-DL-300LFP15SE42, 63509\_FRMB-DL-300LFP20SE42, 69369\_FRMB-DL-300LFP30SE42, 69370\_FRMB-DL-400LFP10SE42, 63510\_FRMB-DL-400LFP15SE42, 63511\_FRMB-DL-400LFP20SE42, 63512\_FRMB-DL-500LFP10SE42, 63513\_FRMB-DL-500LFP15SE42, 69371\_FRMB-DL-500LFP20SE42.

63531\_FRMB-DL-100LFP15SESA42, 69372\_FRMB-DL-100LFP20SESA42, 63532\_FRMB-DL-100LFP30SESA42, 63534\_FRMB-DL-150LFP15SESA42, 69373\_FRMB-DL-150LFP20SESA42, 63535\_FRMB-DL-150LFP30SESA42, 63537\_FRMB-DL-200LFP15SESA42, 69374\_FRMB-DL-200LFP20SESA42, 63538\_FRMB-DL-200LFP30SESA42, 63540\_FRMB-DL-250LFP15SESA42, 69375\_FRMB-DL-250LFP20SESA42, 63541\_FRMB-DL-250LFP30SESA42, 63542\_FRMB-DL-300LFP15SESA42, 63543\_FRMB-DL-300LFP20SESA42, 69376\_FRMB-DL-300LFP30SESA42, 69377\_FRMB-DL-400LFP10SESA42, 63544\_FRMB-DL-400LFP15SESA42, 63545\_FRMB-DL-400LFP20SESA42, 63546\_FRMB-DL-500LFP10SESA42, 63547\_FRMB-DL-500LFP15SESA42, 69378\_FRMB-DL-500LFP20SESA42.

63514\_FRMB-DL-100NM15SE65, 69379\_FRMB-DL-100NM20SE65, 63515\_FRMB-DL-100NM30SE65, 63517\_FRMB-DL-150NM15SE65, 69380\_FRMB-DL-150NM20SE65, 63518\_FRMB-DL-150NM30SE65, 63520\_FRMB-DL-200NM15SE65, 69381\_FRMB-DL-200NM20SE65, 63521\_FRMB-DL-200NM30SE65, 63523\_FRMB-DL-250NM15SE65, 69382\_FRMB-DL-250NM20SE65, 63524\_FRMB-DL-250NM30SE65, 63525\_FRMB-DL-300NM15SE65, 63526\_FRMB-DL-300NM20SE65, 69383\_FRMB-DL-300NM30SE65, 69384\_FRMB-DL-400NM10SE65, 63527\_FRMB-DL-400NM15SE65, 63528\_FRMB-DL-400NM20SE65, 63529\_FRMB-DL-500NM10SE65, 63530\_FRMB-DL-500NM15SE65, 69385\_FRMB-DL-500NM20SE65.

63548\_FRMB-DL-100LFP15SESA65, 69386\_FRMB-DL-100LFP20SESA65, 63549\_FRMB-DL-100LFP30SESA65, 63551\_FRMB-DL-150LFP15SESA65, 69387\_FRMB-DL-150LFP20SESA65, 63552\_FRMB-DL-150LFP30SESA65, 63554\_FRMB-DL-200LFP15SESA65, 69388\_FRMB-DL-200LFP20SESA65, 63555\_FRMB-DL-200LFP30SESA65, 63557\_FRMB-DL-250LFP15SESA65, 69389\_FRMB-DL-250LFP20SESA65, 63558\_FRMB-DL-250LFP30SESA65, 63559\_FRMB-DL-300LFP15SESA65, 63560\_FRMB-DL-300LFP20SESA65, 69390\_FRMB-DL-300LFP30SESA65, 69391\_FRMB-DL-400LFP10SESA65, 63561\_FRMB-DL-400LFP15SESA65, 63562\_FRMB-DL-400LFP20SESA65, 63563\_FRMB-DL-500LFP10SESA65, 63564\_FRMB-DL-500LFP15SESA65, 69392\_FRMB-DL-500LFP20SESA65.

## Info

Le lampade IP65 vengono fornite con la guarnizione in silicone espanso già inserita + il raccordo tubo-lampada d. 20mm

The IP65 lamps are supplied with the expanded silicone gasket already inserted + the tube-lamp connection d. 20mm



## Kontroller

Le lampade della serie autotesting necessitano del Kontroller, per il controllo e l'attivazione da remoto della modalità REST MODE

REST MODE by using Kontroller

